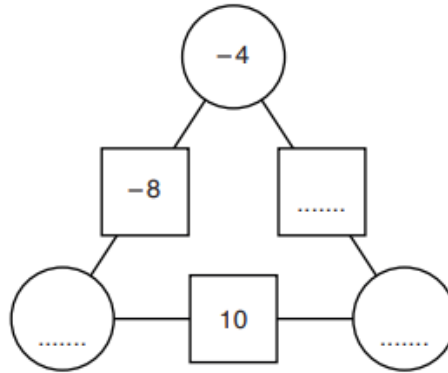


## NEGATIVE NUMBERS

OCR Wednesday 8 November 2017– Morning (Calculator) Foundation Tier

1.

5 To find the number in a square, multiply the numbers in the two circles connected to it.



Fill in the missing numbers.

[3]

AQA Monday 8 June 2020 – Morning (Calculator) Foundation Tier

2.

**15**  $n$  is negative.

Circle the expression that is **positive**.

[1 mark]

$n - 1$

$n^2$

$n^3$

$\frac{1}{n}$

AQA Tuesday 6 November 2018 – Morning (Non-Calculator) Foundation Tier

3.

**1** Work out  $(-3) + (-8)$

Circle your answer.

[1 mark]

$-5$

$5$

$-11$

$11$